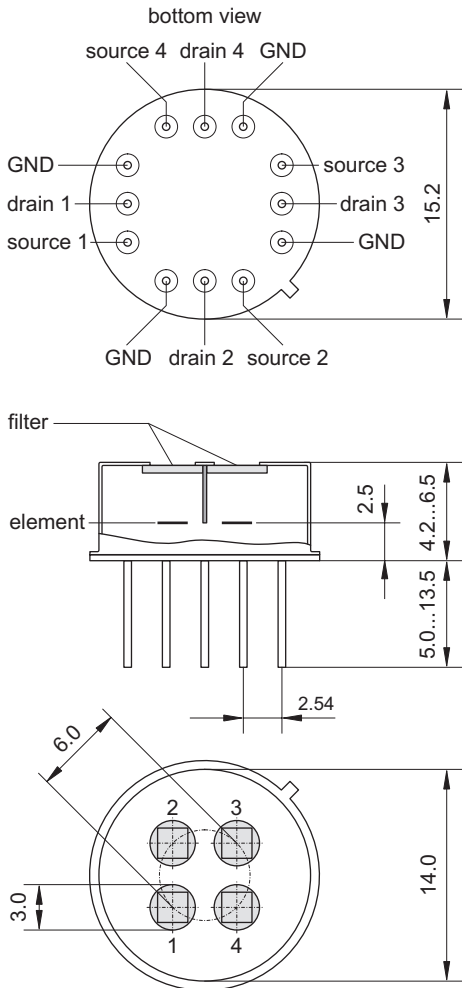




# HPS Q10E

## Pyroelectric Four Channel Detector for Measurement Applications



|                                     |                             |
|-------------------------------------|-----------------------------|
| element size                        | 2 mm × 2 mm                 |
| aperture                            | 3.0 mm                      |
| filter <sup>3</sup>                 | custom-designed             |
| responsivity <sup>1,2</sup>         | >320 V/W                    |
| noise <sup>1</sup>                  | <150 nV/√Hz                 |
| specific detectivity <sup>1,2</sup> | >4·10 <sup>8</sup> cm √Hz/W |
| offset voltage                      | 0.4 to 1.5 V                |
| operating voltage                   | 2 to 18 V                   |
| housing                             | TO 8                        |
| operating temperature               | -20 to 70 °C                |
| storage temperature                 | -20 to 70 °C                |

- 1) frequency: 10 Hz, detector temperature: 25 °C
- 2) black body source temperature: 500 K, filter transmission: 100 %
- 3) other filters on request

